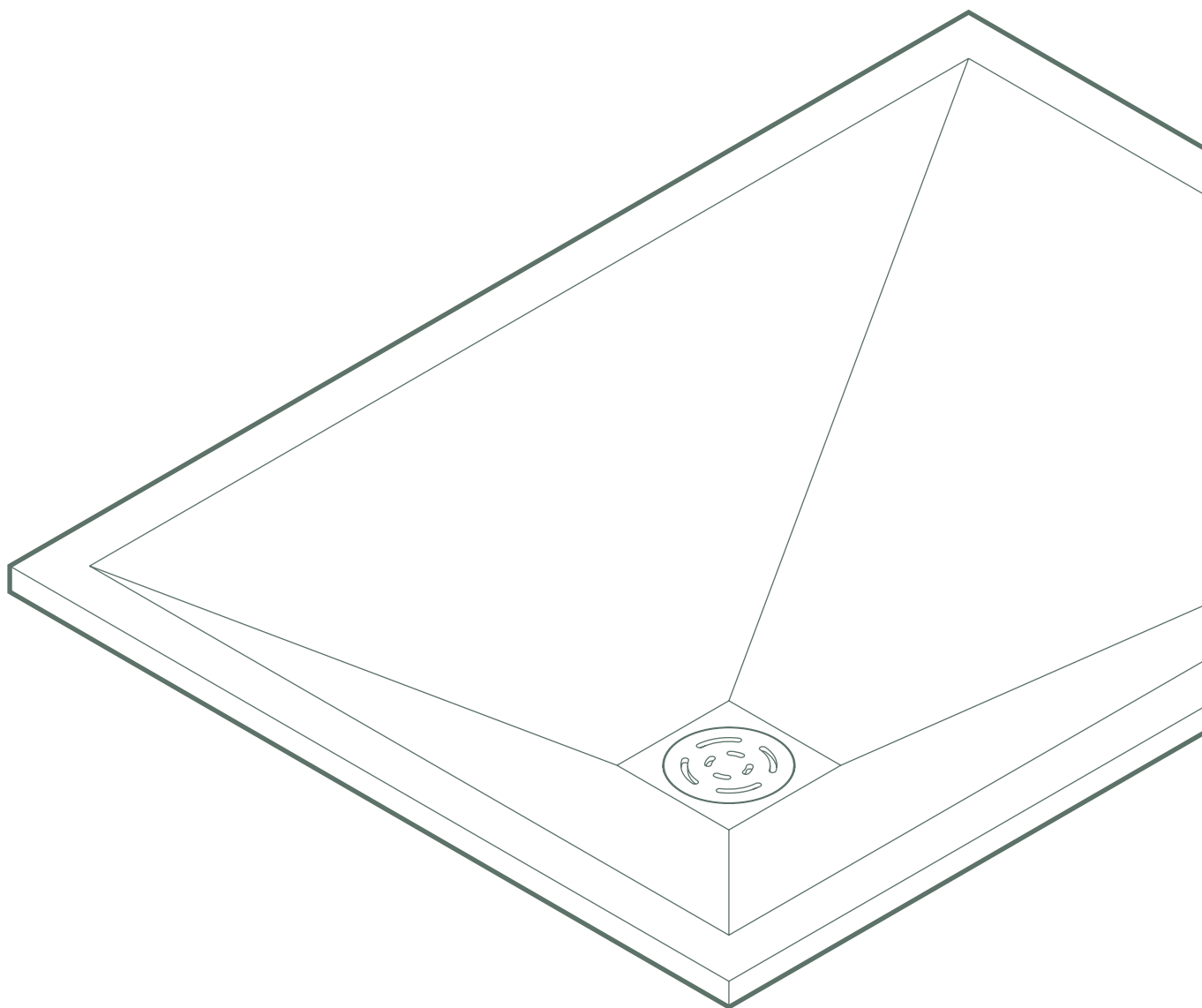


REPEAT®

Installation Manual: Shower Floor
2025





Different types of installation

- | | | |
|-----|---|---------------------|
| 1. | Installation on existing floor, against tiles or REPEAT MATERIALS wall panels | p3 |
| 2A. | Installation raised with mounting disk | p7 |
| 2B. | Installation raised on wooden construction | p12 |



Warning!

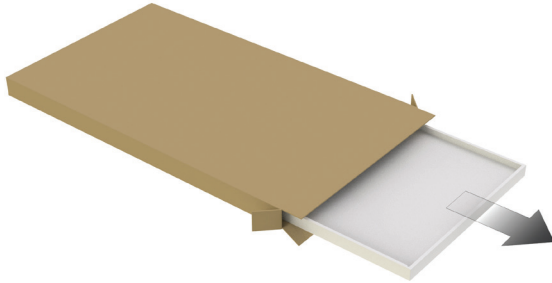
Please check the shower floor for defects, damage or blemishes BEFORE beginning installation.

Installation=Acceptance

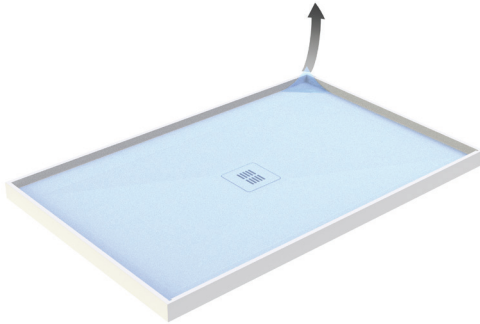
The standard protective film is only used for protection during transport/storage and must be removed before installing of the shower floor, so that this can be checked completely

During the works, make sure there is adequate protection (Tetra, cardboard or plastic cover film) on the shower floor, so that it cannot be damaged by dropped tools, tiles, etc. , or splashes of adhesive, primers, etc.

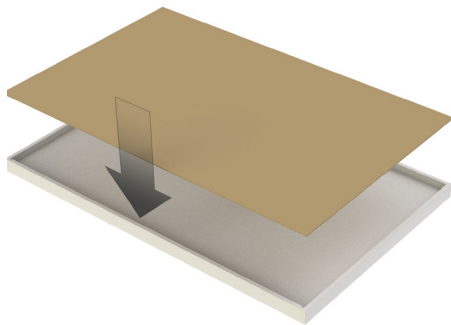
- 1** Unpack the shower floor with caution.



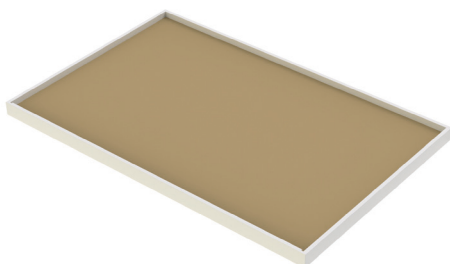
- 2** Remove the protective film and check the shower floor.



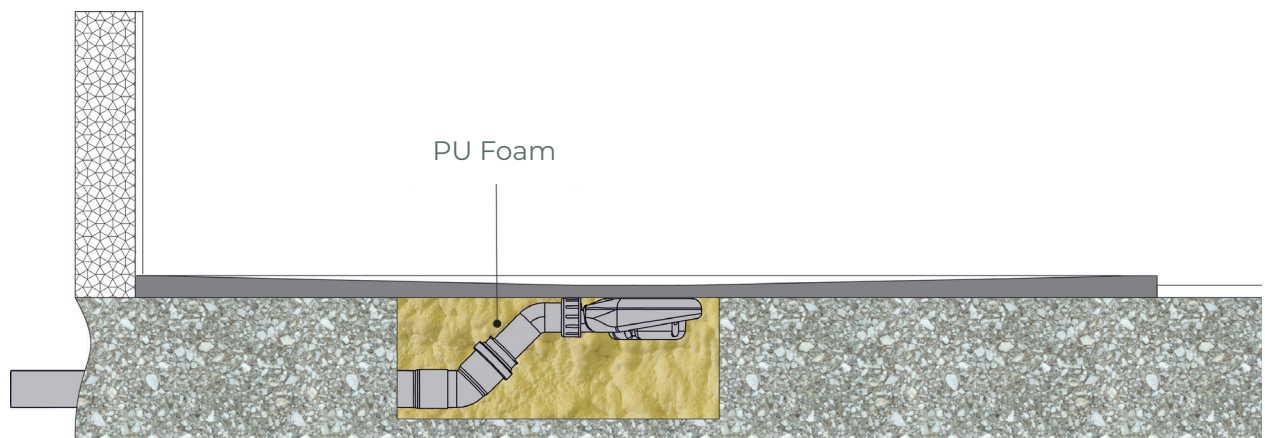
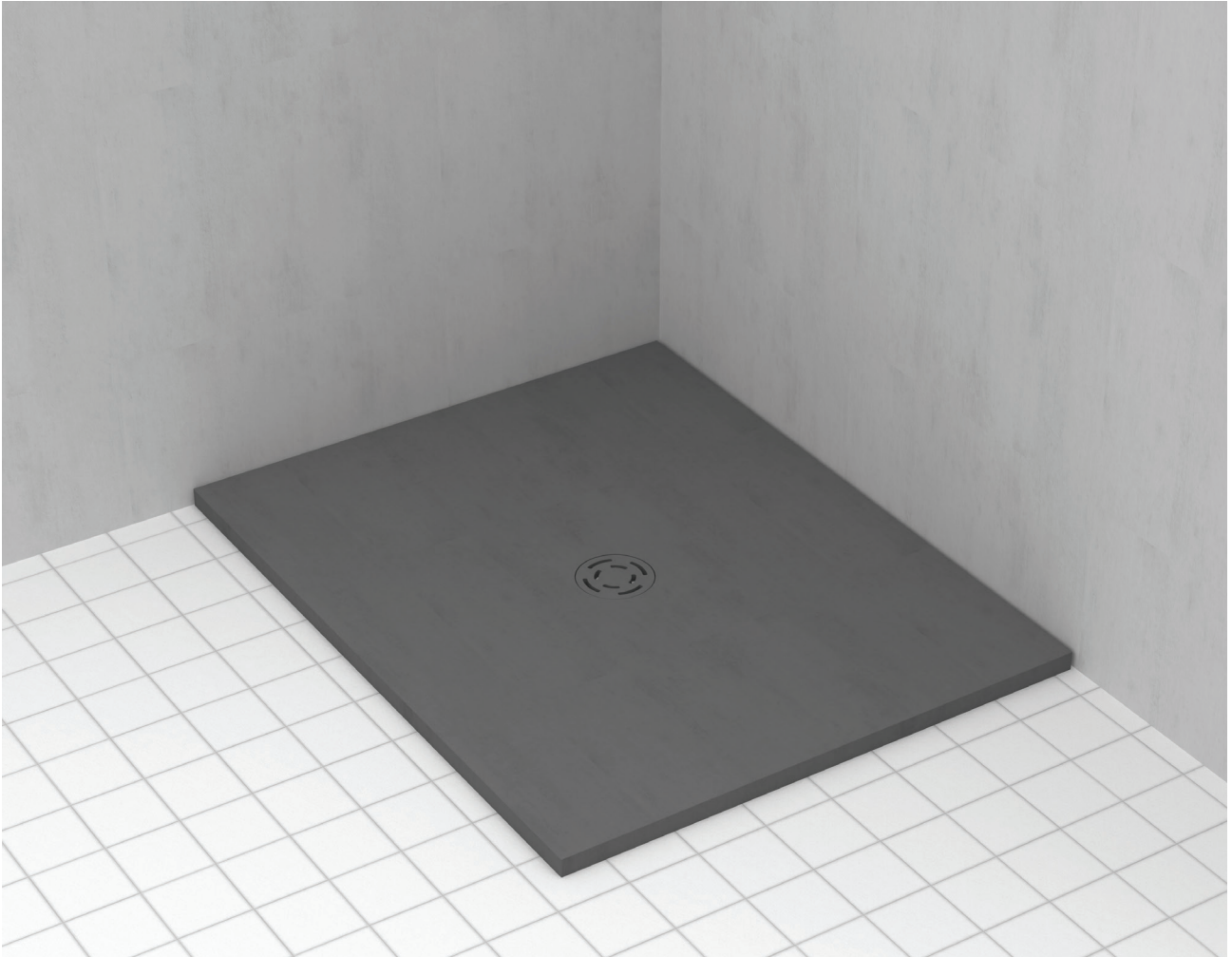
- 3** Protect the shower floor with cardboard or tetra.



- 4** Start the installation of the shower floor.

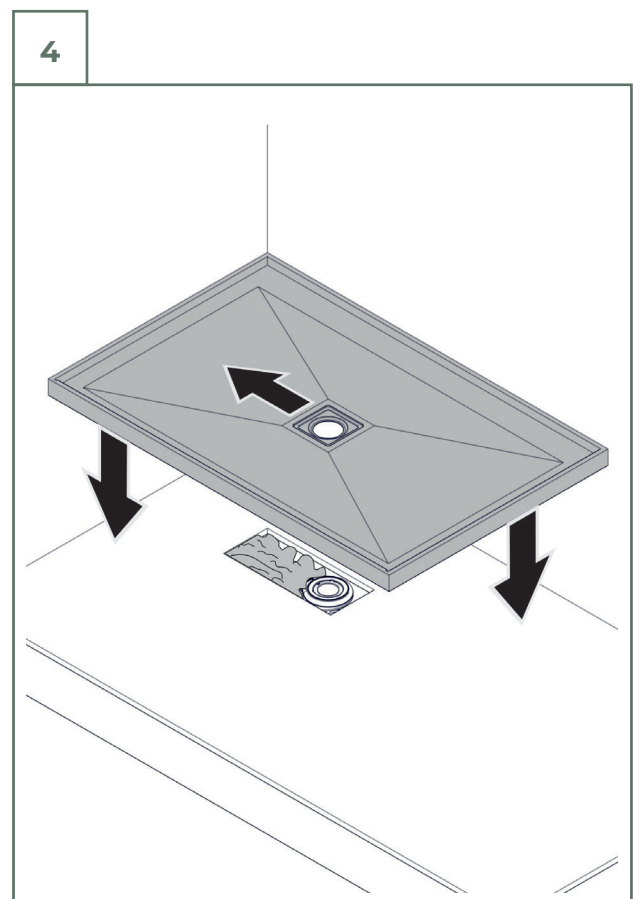
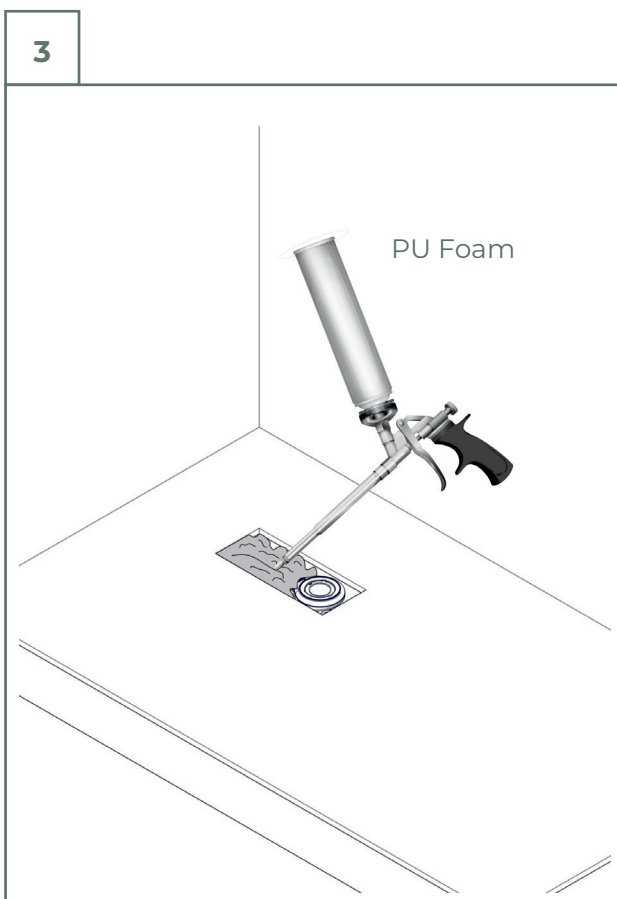
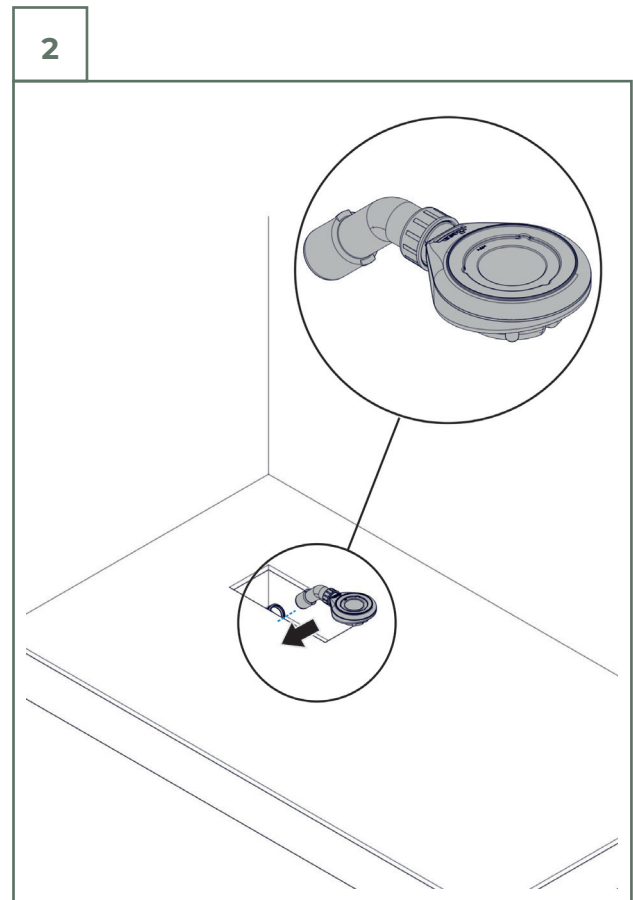
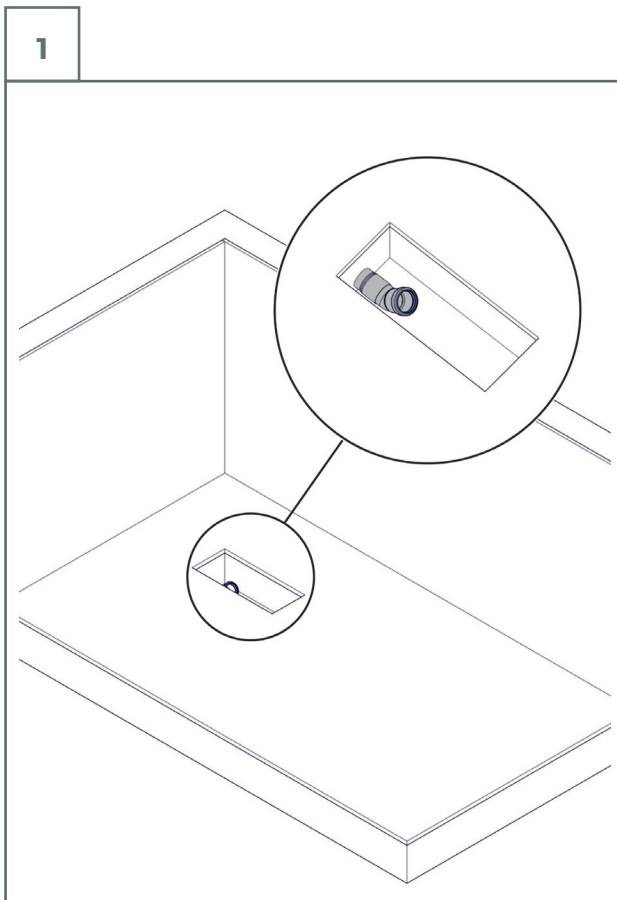


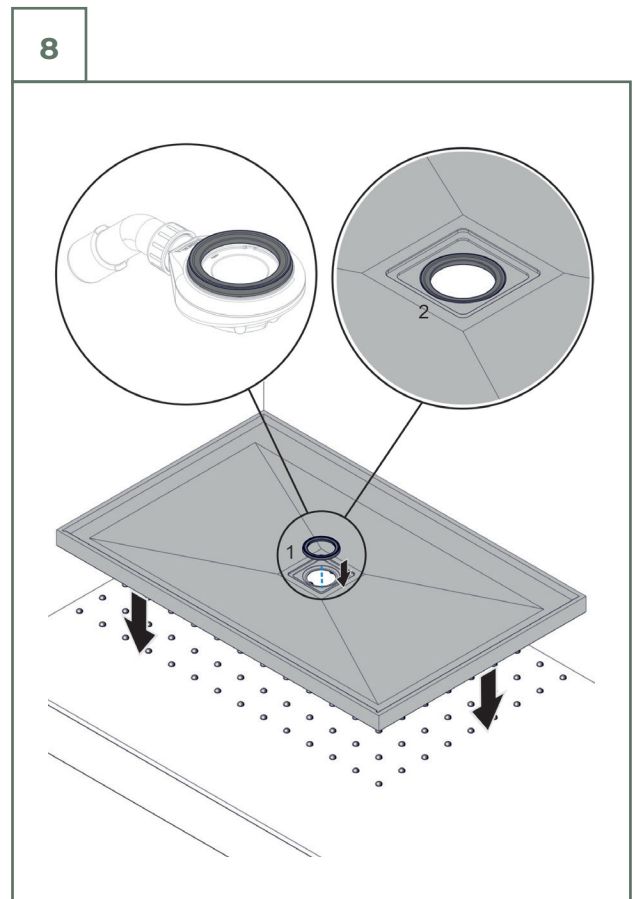
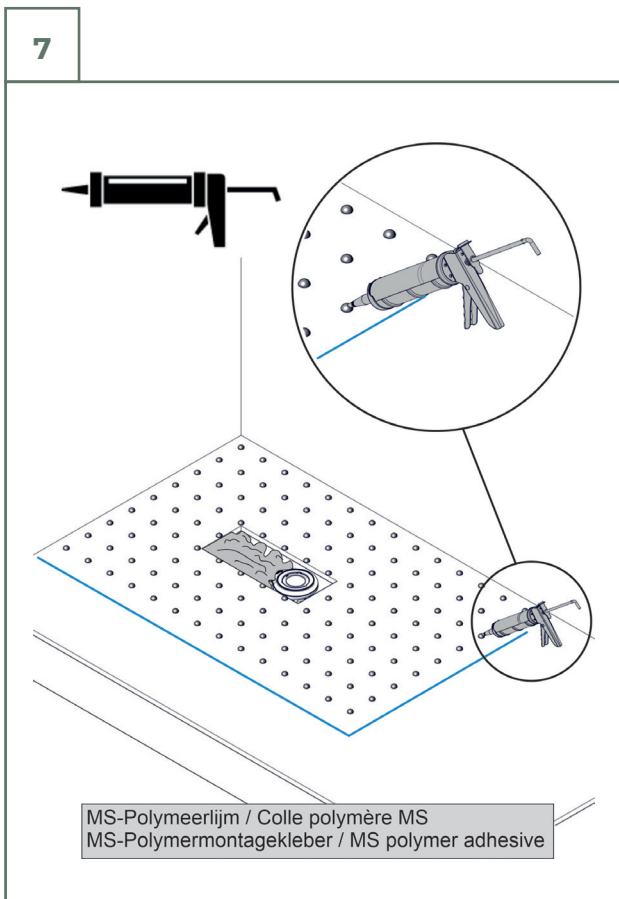
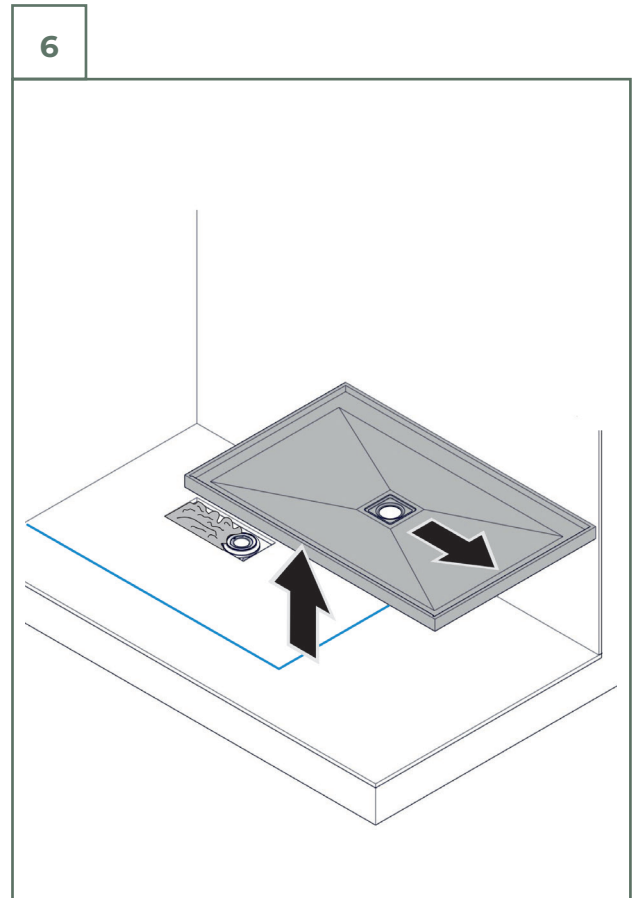
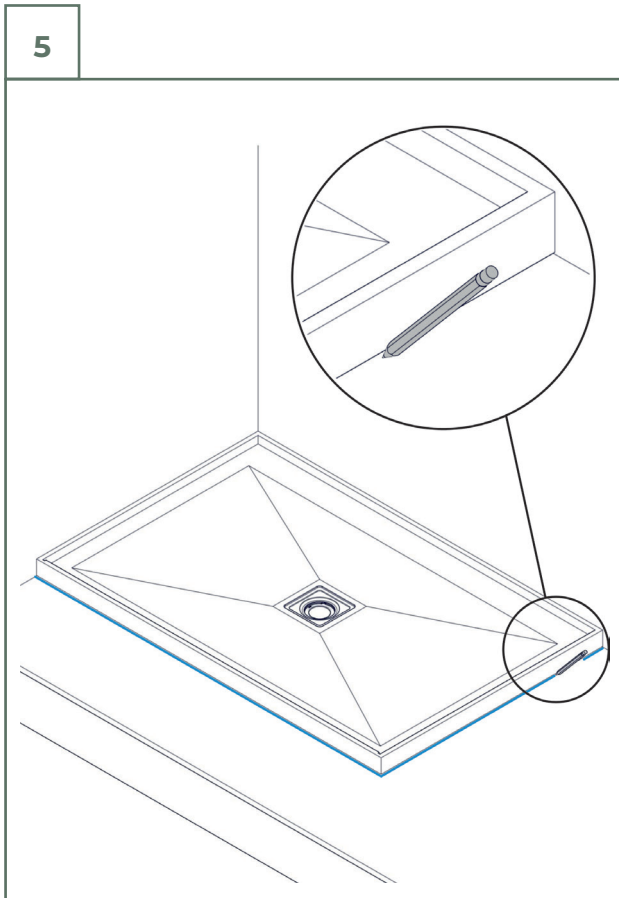
1. Installation on existing floor, against tiles or Repeat Materials wall panels

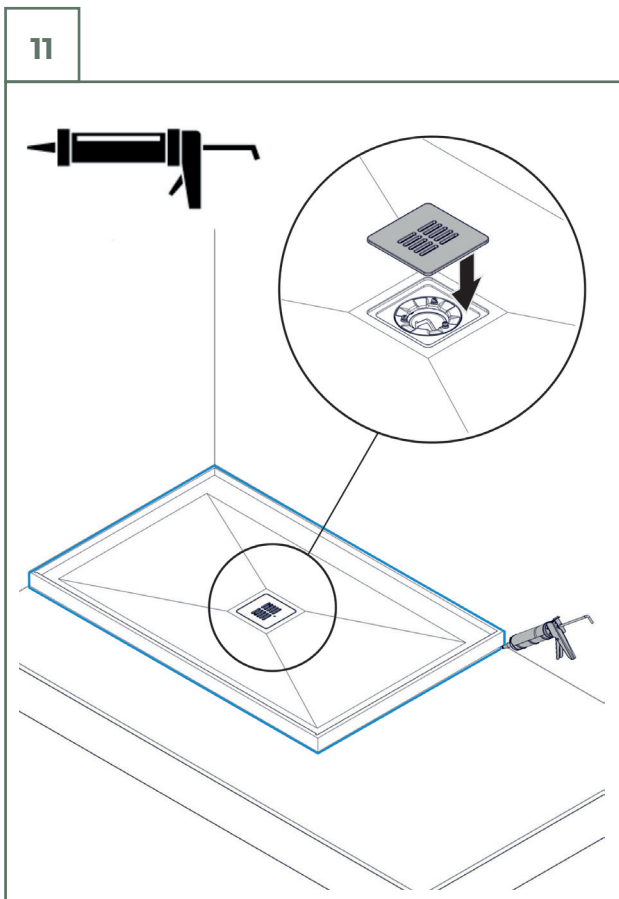
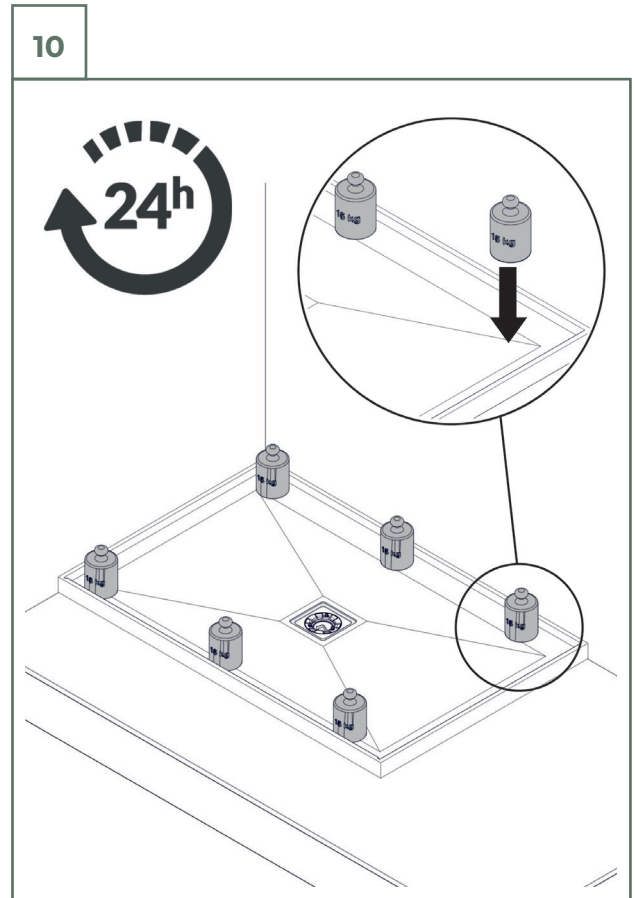
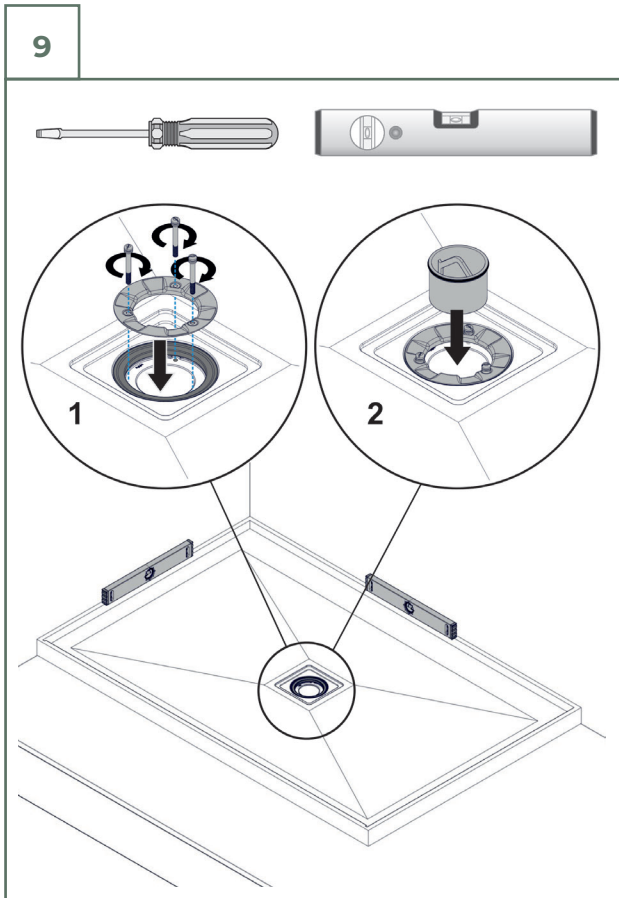


Installation Shower Floor

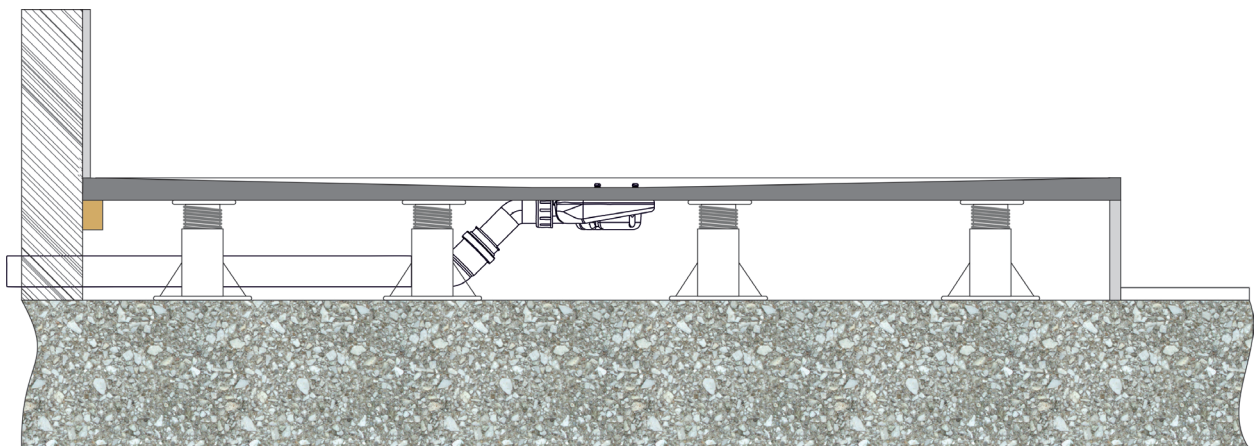
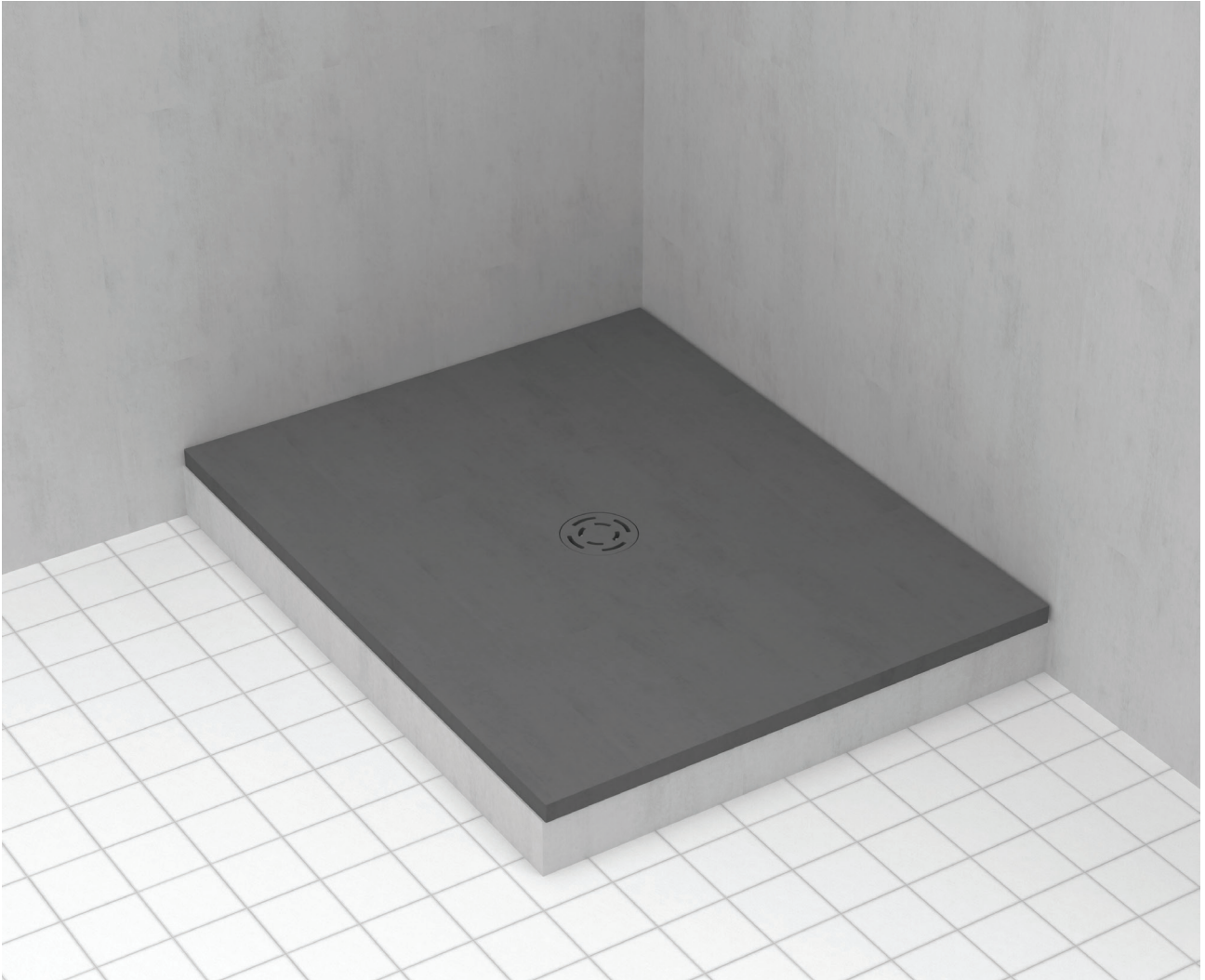
1. Installation on existing floor, against tiles or Repeat Materials wall panels



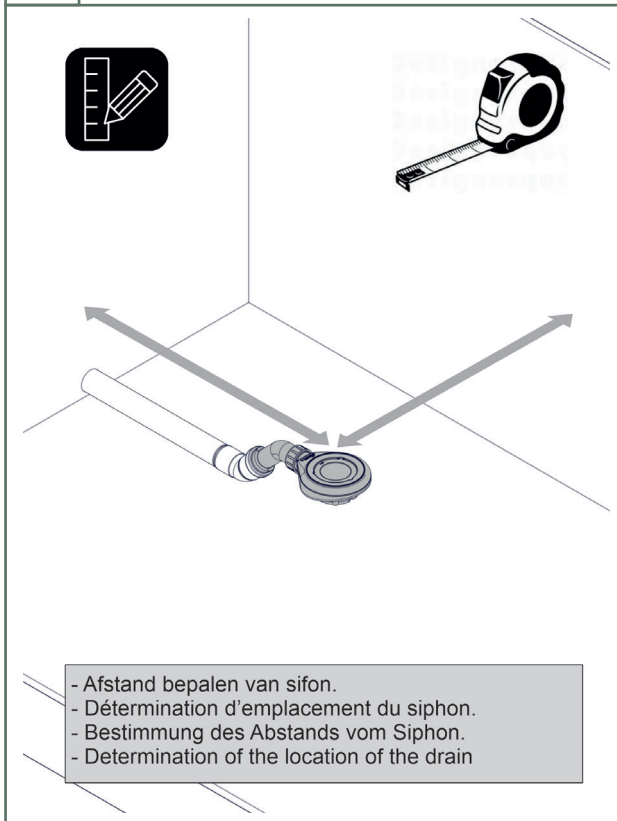




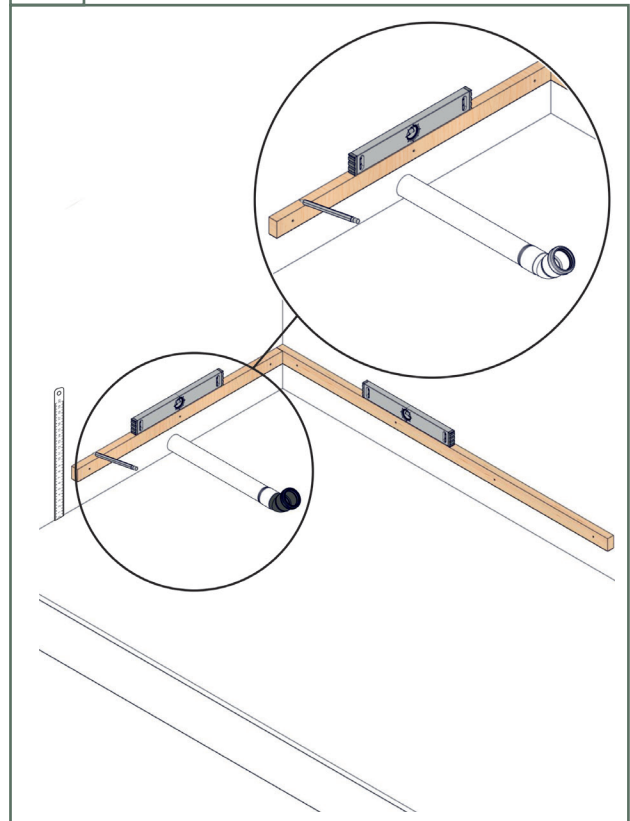
2A. Installation raised with mounting disk



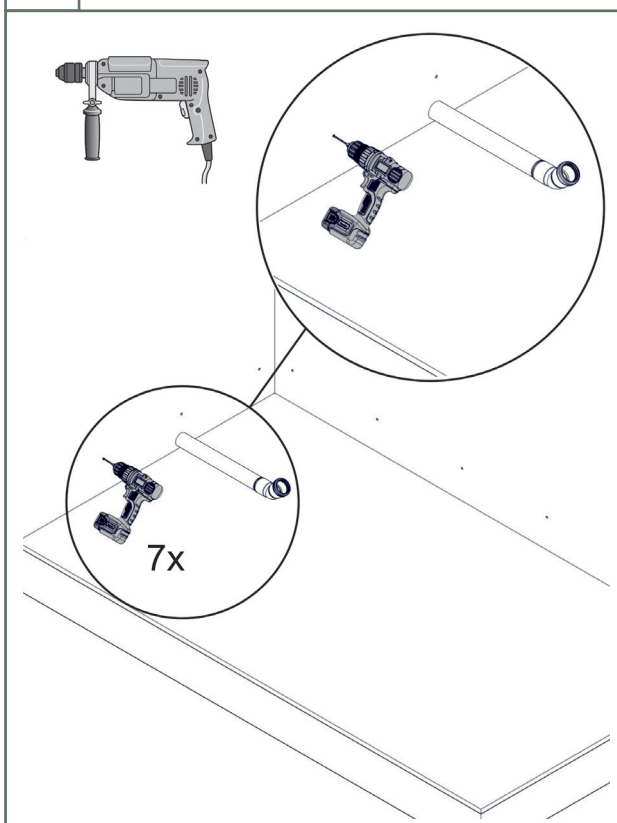
1



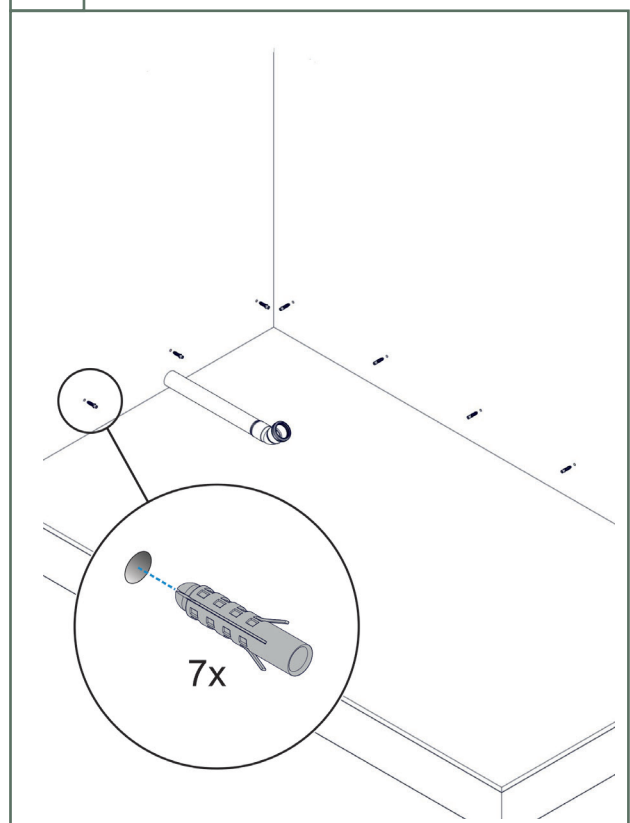
2



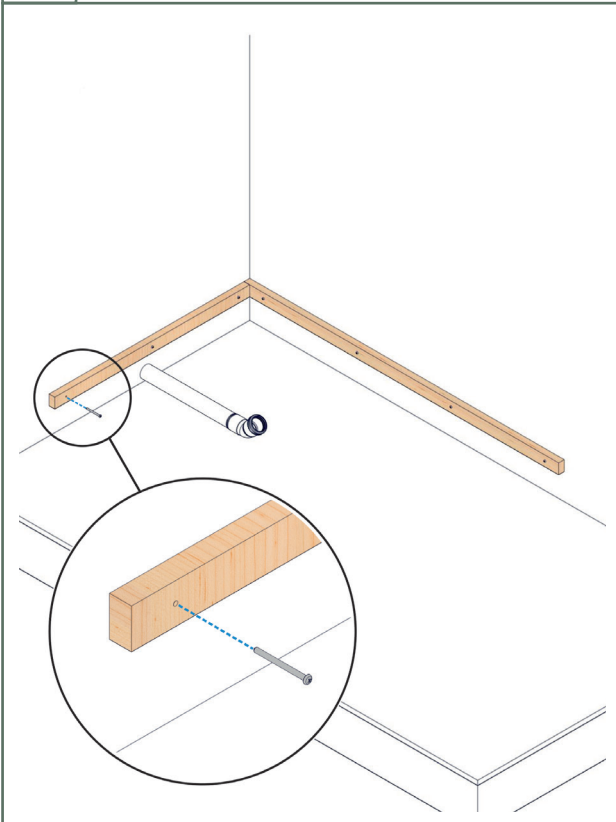
3



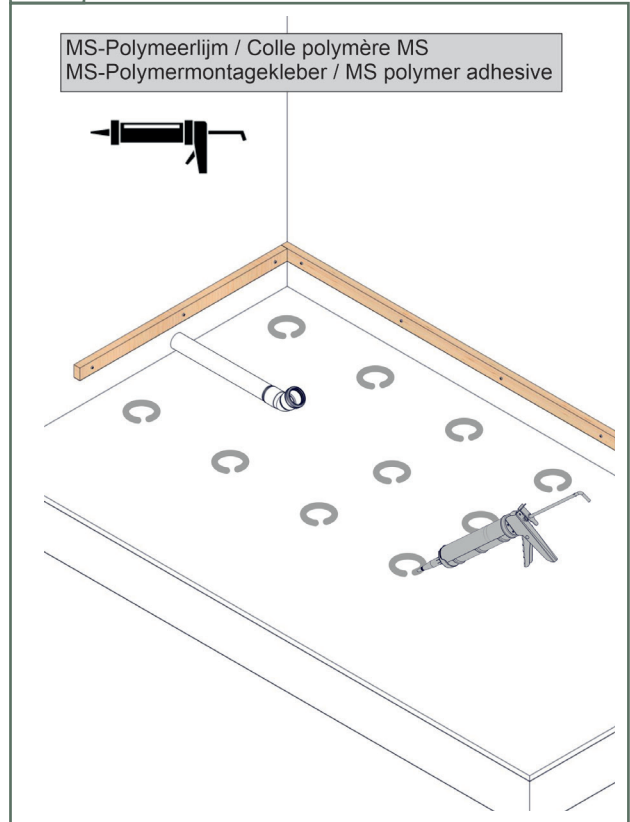
4



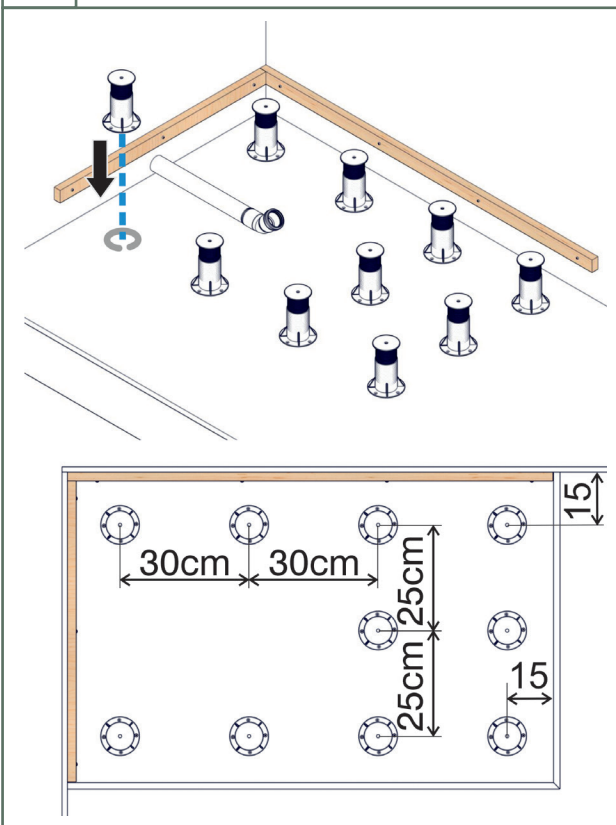
5



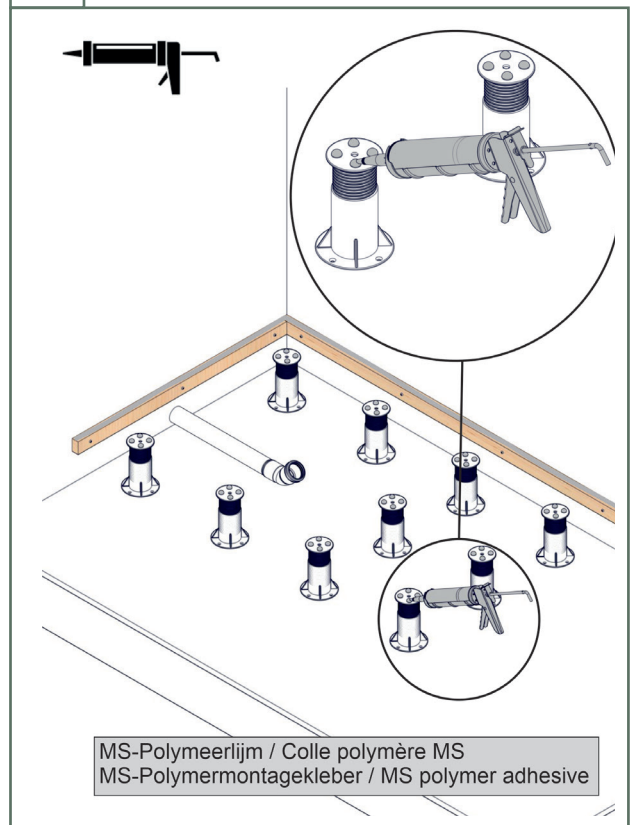
6

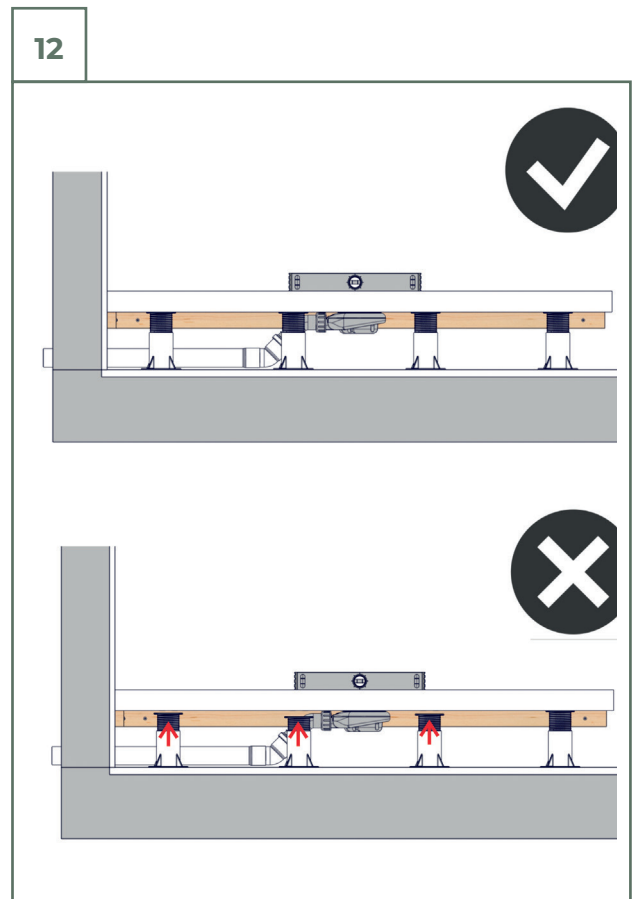
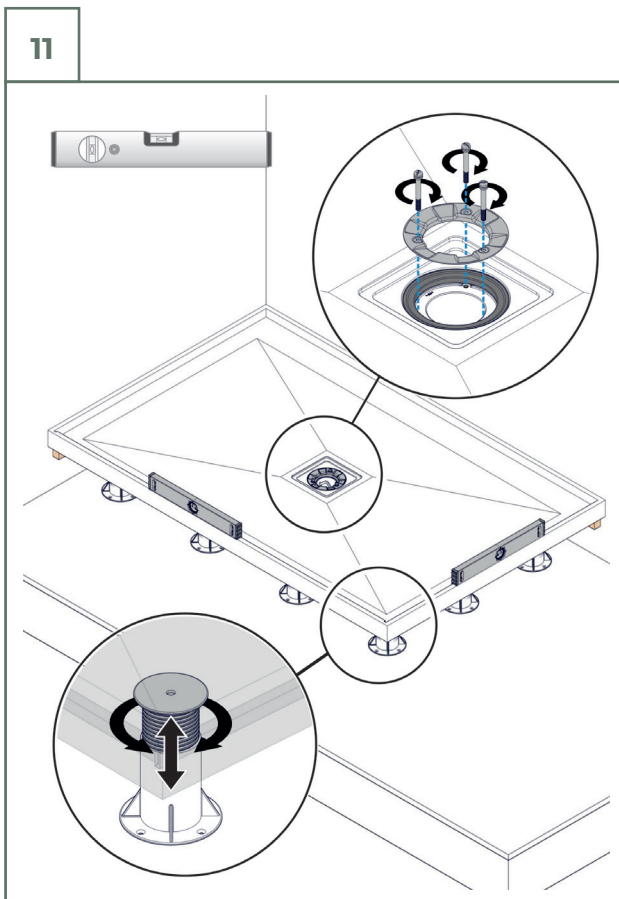
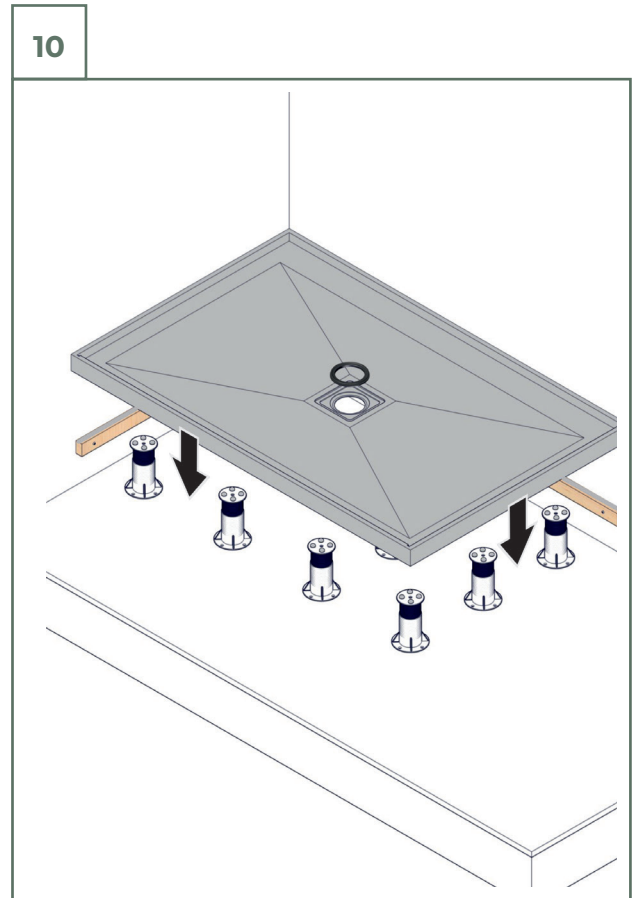
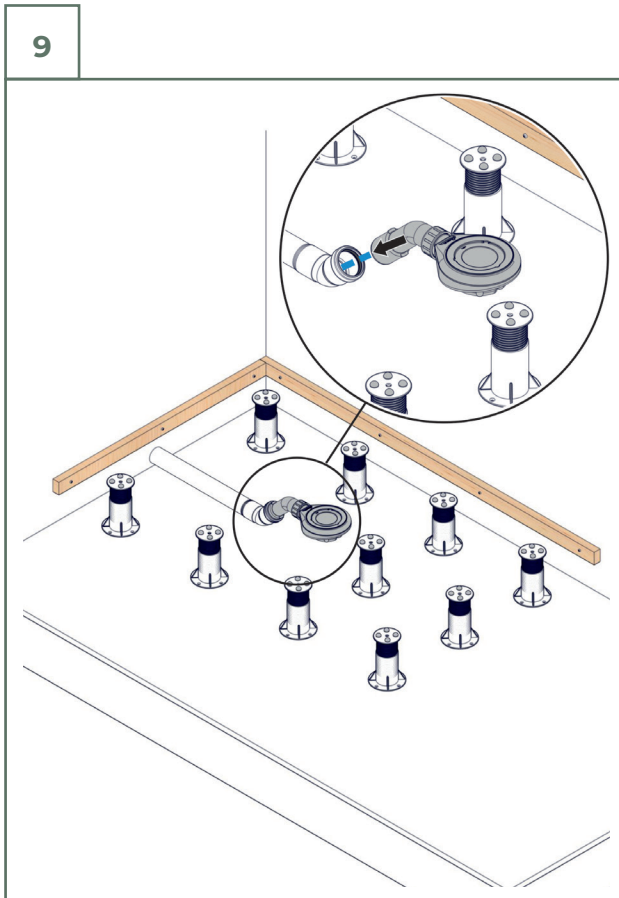


7

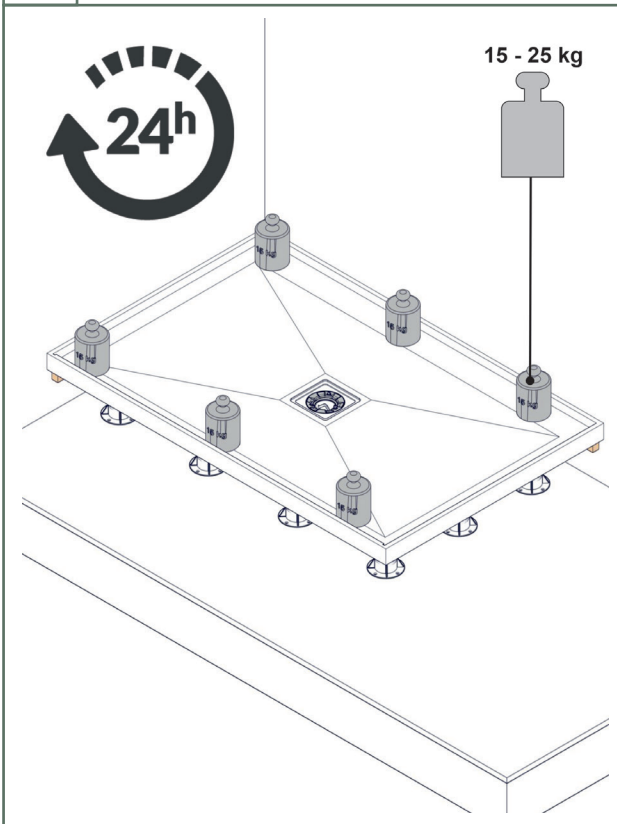


8

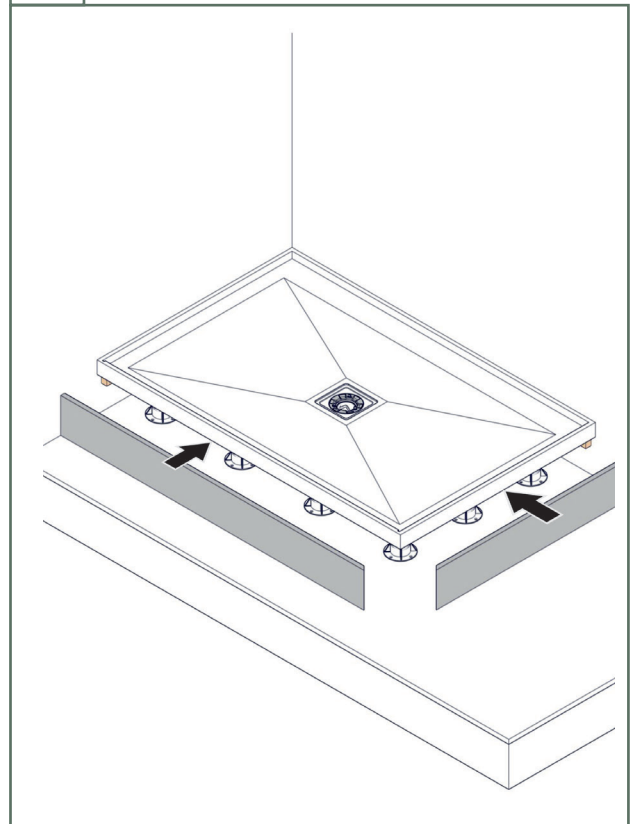




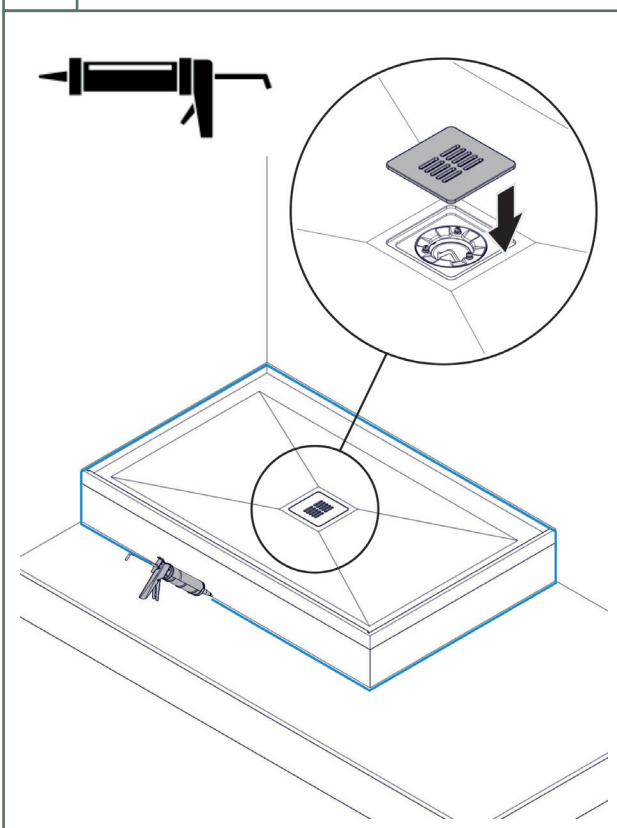
13



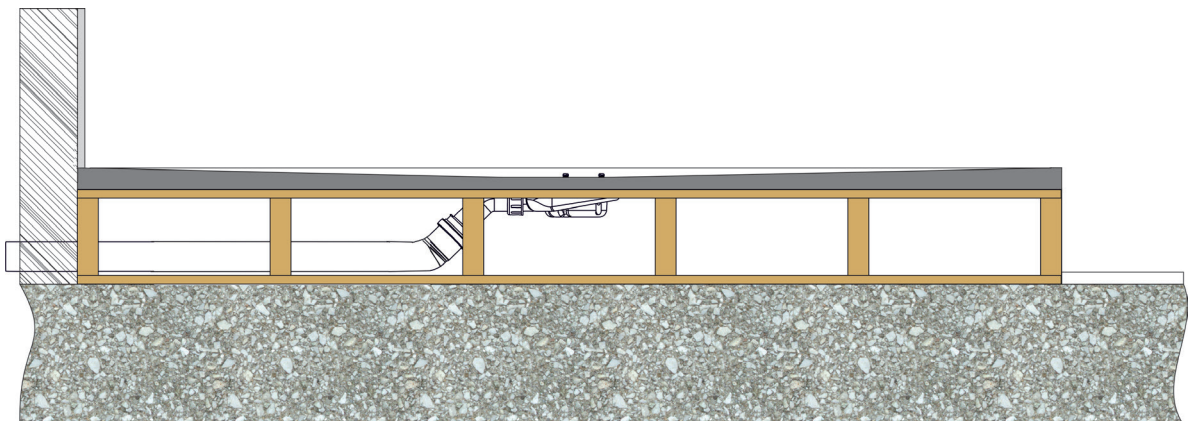
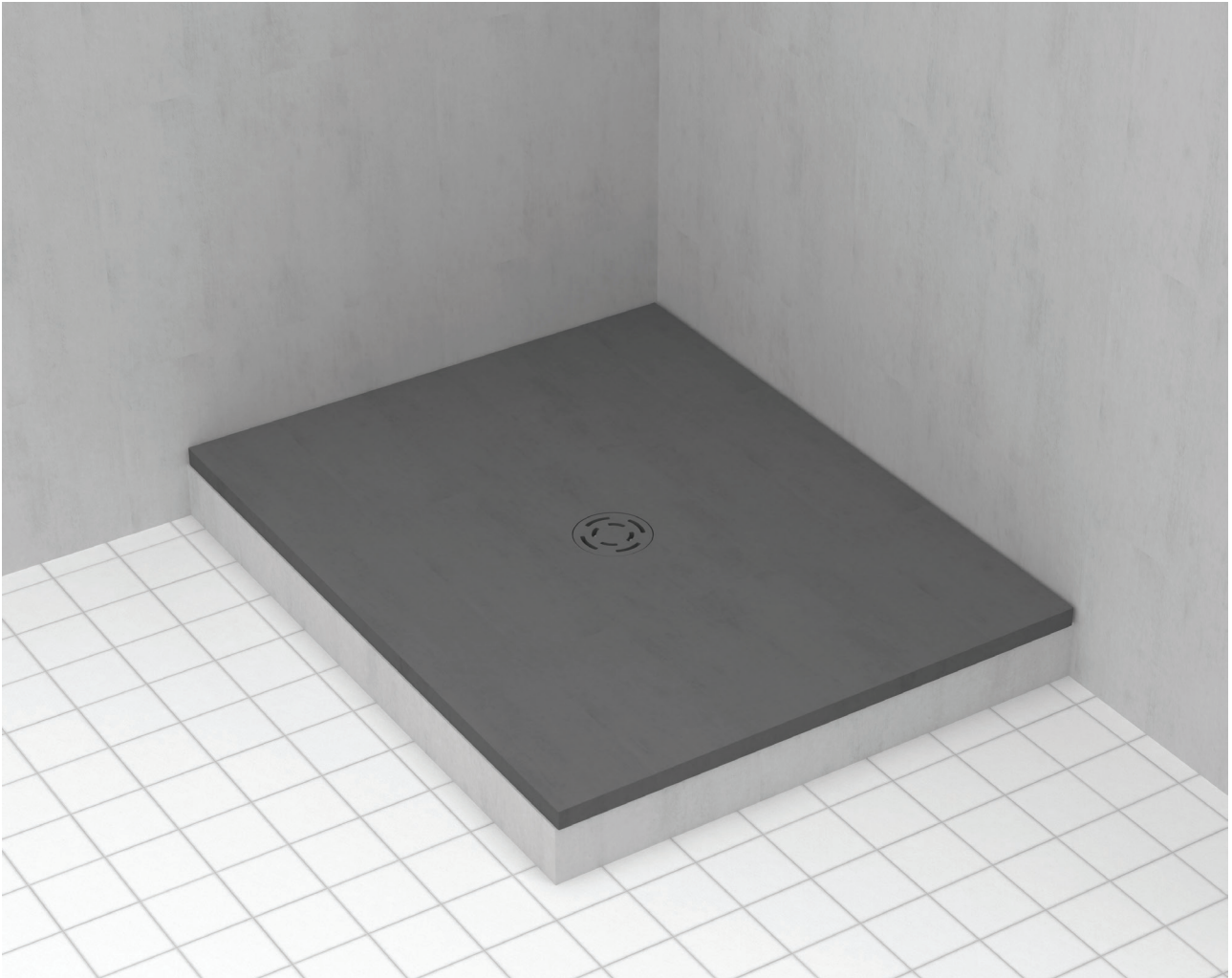
14

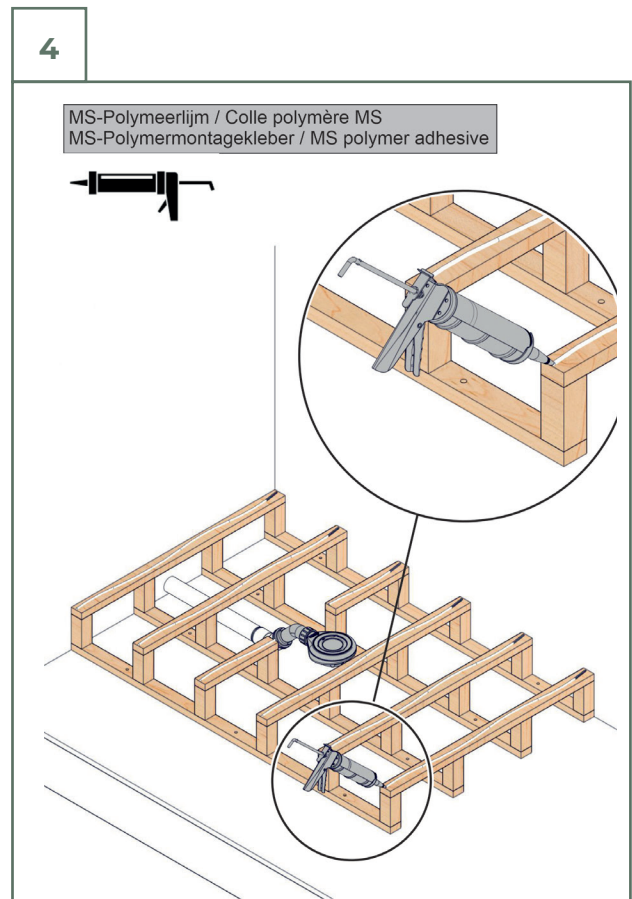
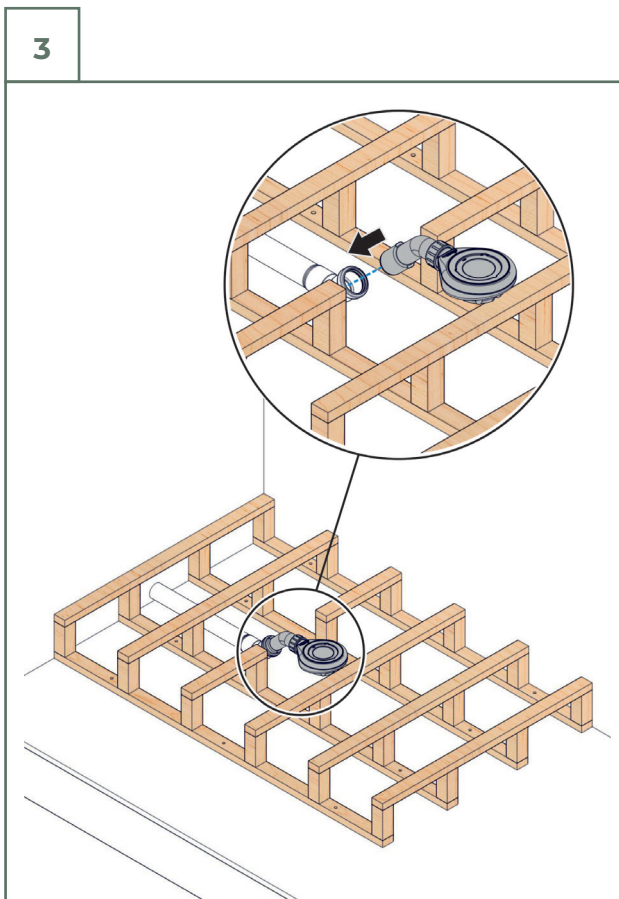
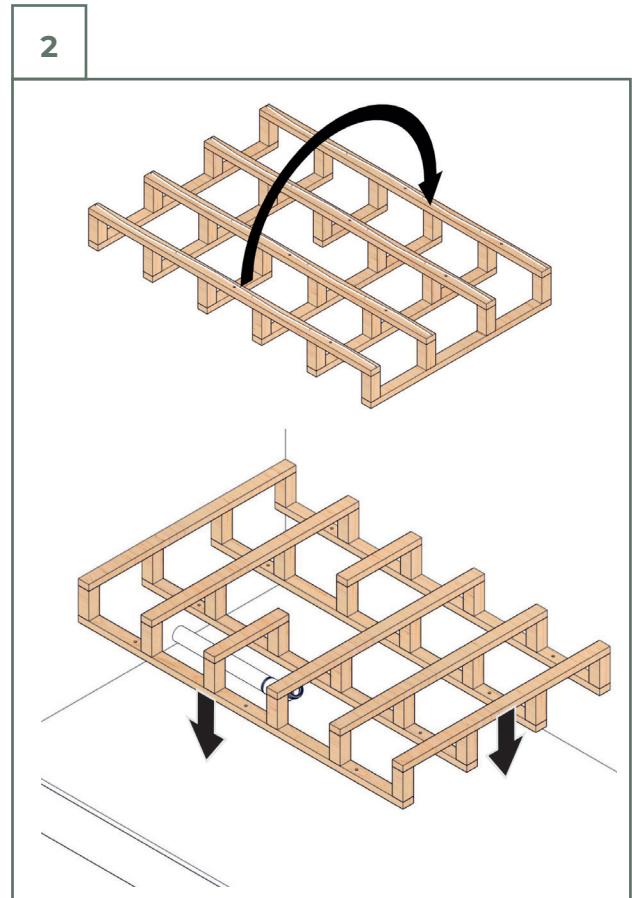
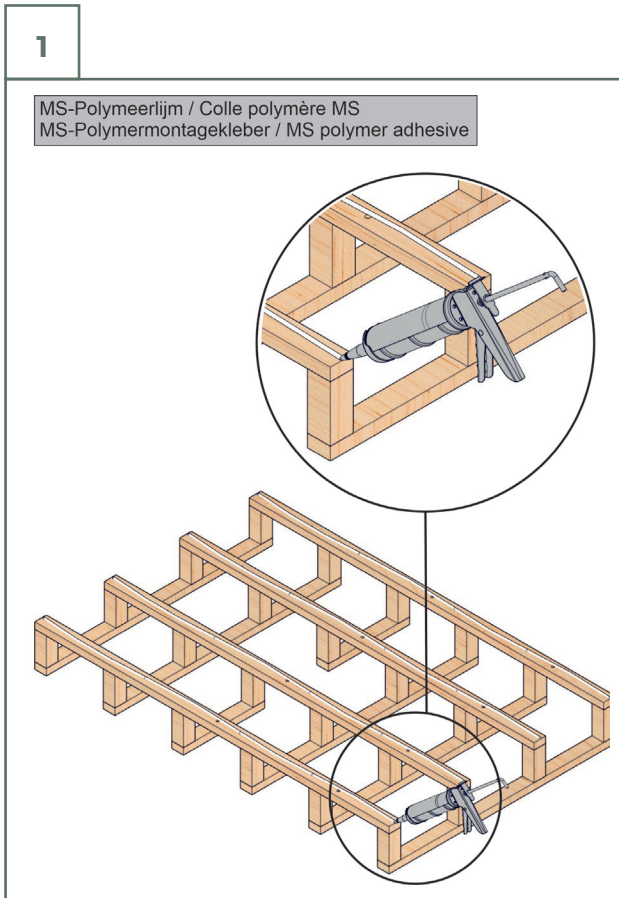


15



2B. Installation raised on a wooden construction

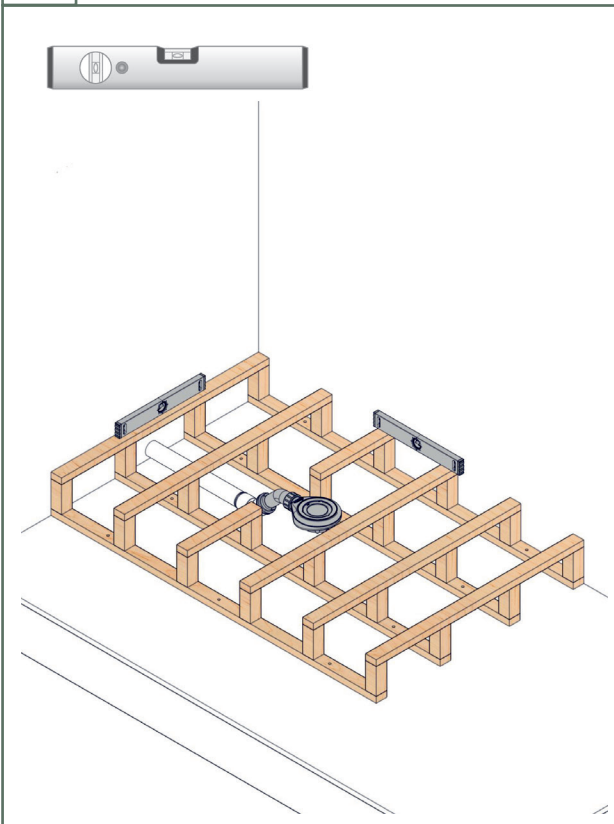




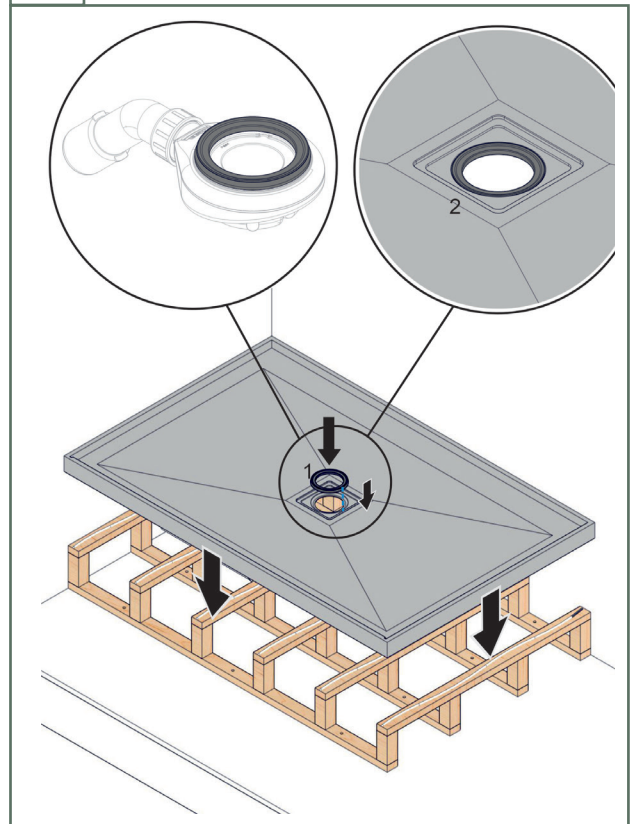
Installation Shower Floor

2B. Installation raised on a wooden construction

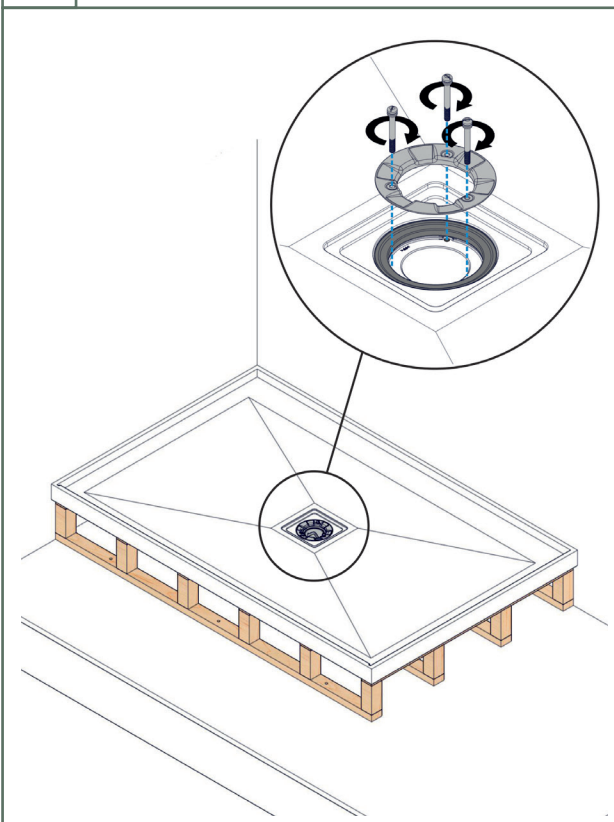
5



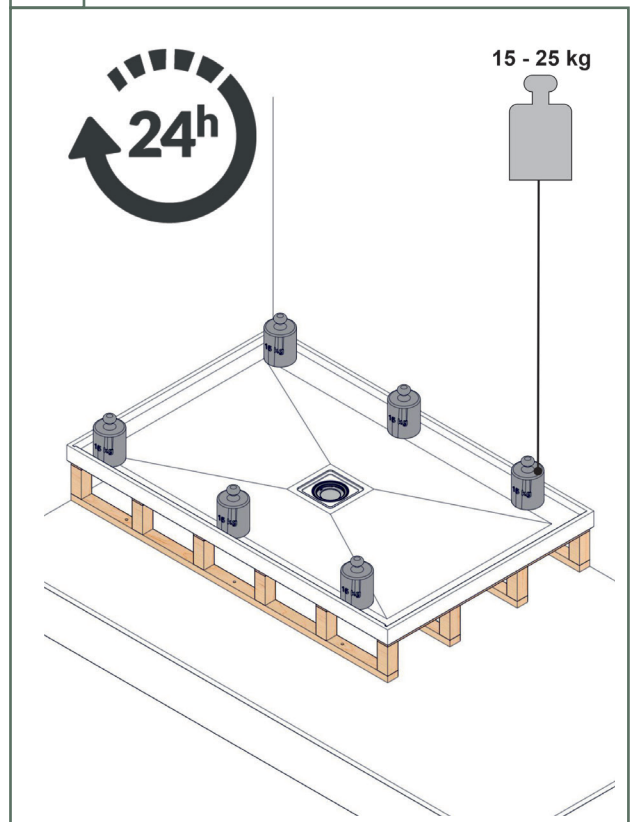
6



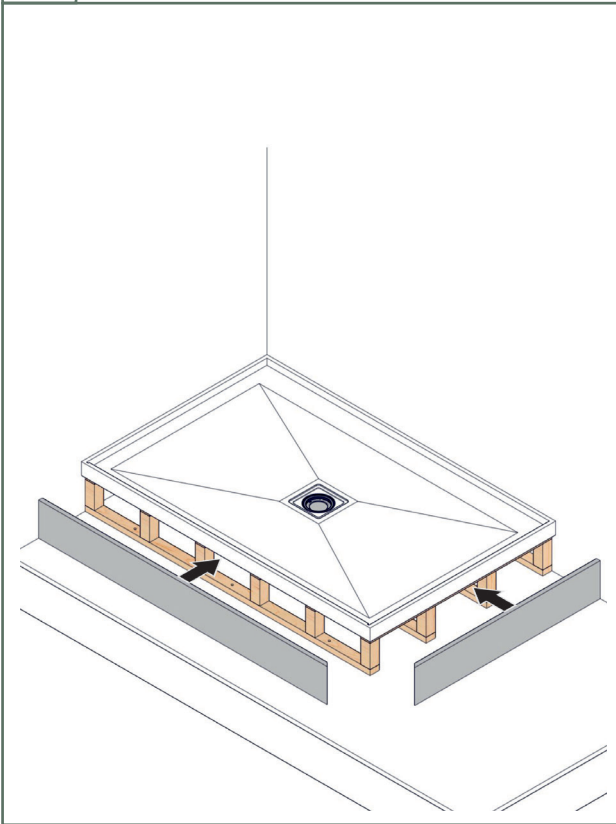
7



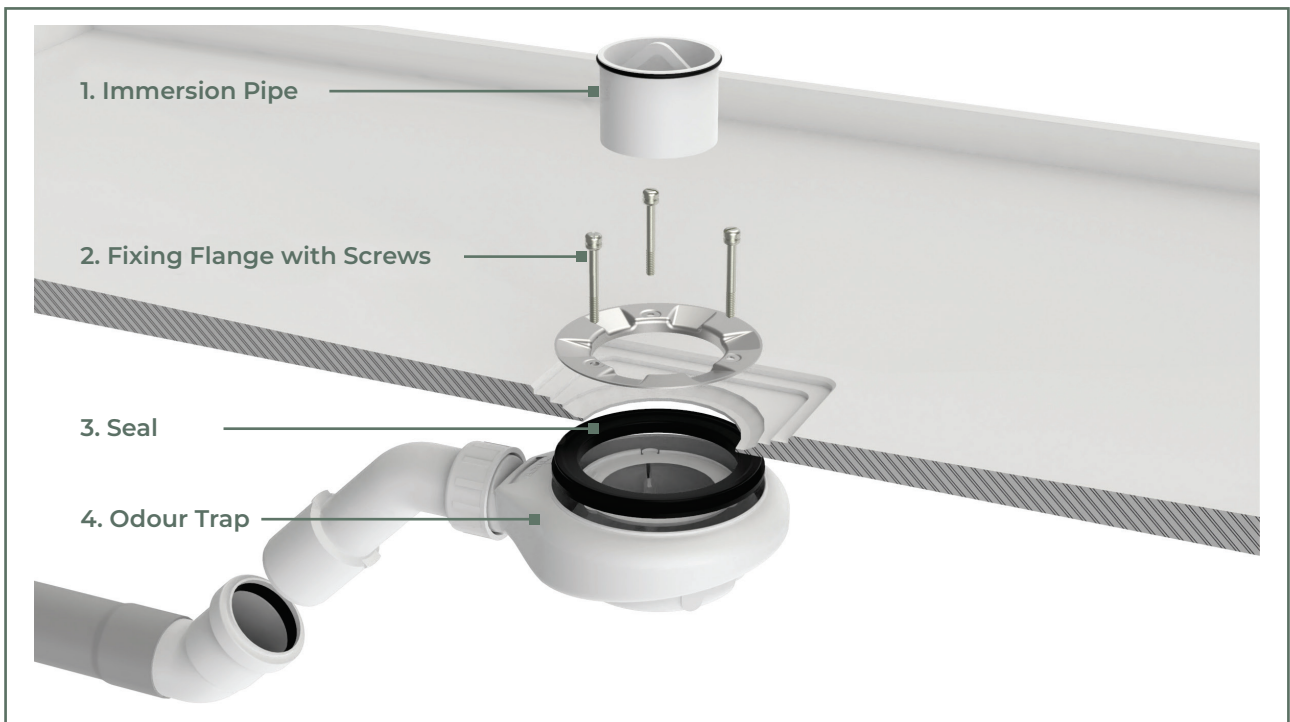
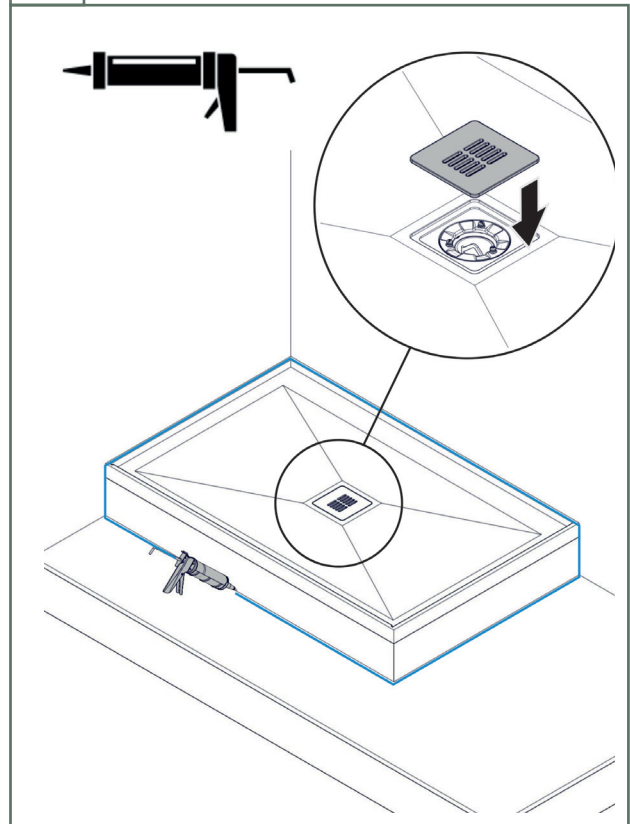
8



9



10



Recommended siphon:

- Viega Tempoplex: 60 with custom screws
- Viega Tempoplex PLUS with custom screws

Other option for UK:

- Wirquin 90 mm Slim Shower Waste Membrane Trap 40 mm Height